



MIKROFILL 3

PRESSURISATION UNIT



ABOUT US

Mikrofill as part of the Stuart Turner Group are innovative UK designers and manufacturers of commercial condensing boilers, hot water loading systems, dosing pots and pressurisation equipment. Top product quality, reliability, innovation and customer service.

Customers can expect nothing but the best product, using the latest technology, manufactured to the highest quality standards, resulting in the most reliable solution available.

All our products are designed and manufactured in the UK.

For further information, Telephone: **TechAssist +44 3452 606020** E-mail **info@mikrofill.com** or visit **mikrofill.com**

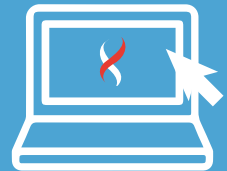


UNRIVALLED SUPPORT

We are specialists in our field, with a dedicated team able to offer help at every stage.

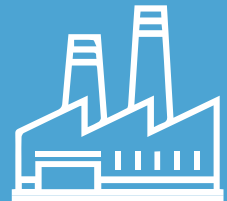
DESIGN EXPERTISE

Our expert team can conduct a detailed analysis of the performance requirements of the intended project to produce a fully costed proposal. All our systems are custom designed in-house using the latest CAD software to develop, evaluate and aid the design of the most efficient solution for your specific needs.



MANUFACTURING AND EXPORT EXCELLENCE

We have invested in the latest production and manufacturing technologies to ensure we work to the highest quality standards. This guarantees our system reliability whilst at the same time maximising efficiency and shipping on time and in full.



ON-GOING SUPPORT

The quality and reliability of our products and services are second to none, allowing you peace of mind when you specify Mikrofill. However, should you experience any issues we have a dedicated team of technical experts available to help. The TechAssist team are available to offer technical advice or guidance on any aspect of product selection.

Technical helpline:

TechAssist +44 (0) 3452 606020



INTRODUCING

MIKROFILL 3

SEALED SYSTEM PRESSURISATION UNIT

LEAK ALERT & FLOOD
PROTECTION

97% MORE ENERGY EFFICIENT
THAN SOME PUMP TYPE UNITS

AUTOMATICALLY MAINTAINS
SYSTEM PRESSURE

PLUG AND PLAY, COMMISSIONED
AND READY TO INSTALL

FEATURES

- Approved commercial system backflow prevention
- Comprehensive electronic pressure management
- Fills any sealed heating or chilled water system from empty
- System fill volume indicator
- Consumes 10 watts on standby and 30 watts fully operational per hour
- Wall mounted unit
- Large colour screen display
- Pre-commissioned packages available

BENEFITS

- No RPZ valve required
- Automatically monitors system and controls system pressure
- Connects directly to the mains water supply
- Provides early warning of system leakage and aids water treatment calculation
- 97% more energy efficient than some pump type units
- Flexible installation
- Clear status indication and intuitive set up
- No onsite commissioning required

DIRECT MAINS WATER
CONNECTION



NO RPZ VALVE REQUIRED

PRODUCT OVERVIEW

The Mikrofill 3 can fill any heating or chilled water system from empty and continuously manages system pressure. It provides commercial backflow protection without the need for a traditional RPZ valve and is compact and easy to install.

- System filling and pressure management
- Integral backflow prevention
- Compact and simple to install
- System fill volume indicator
- System status and fault code display
- Leak detection and flood prevention
- BMS capability
- Low power consumption



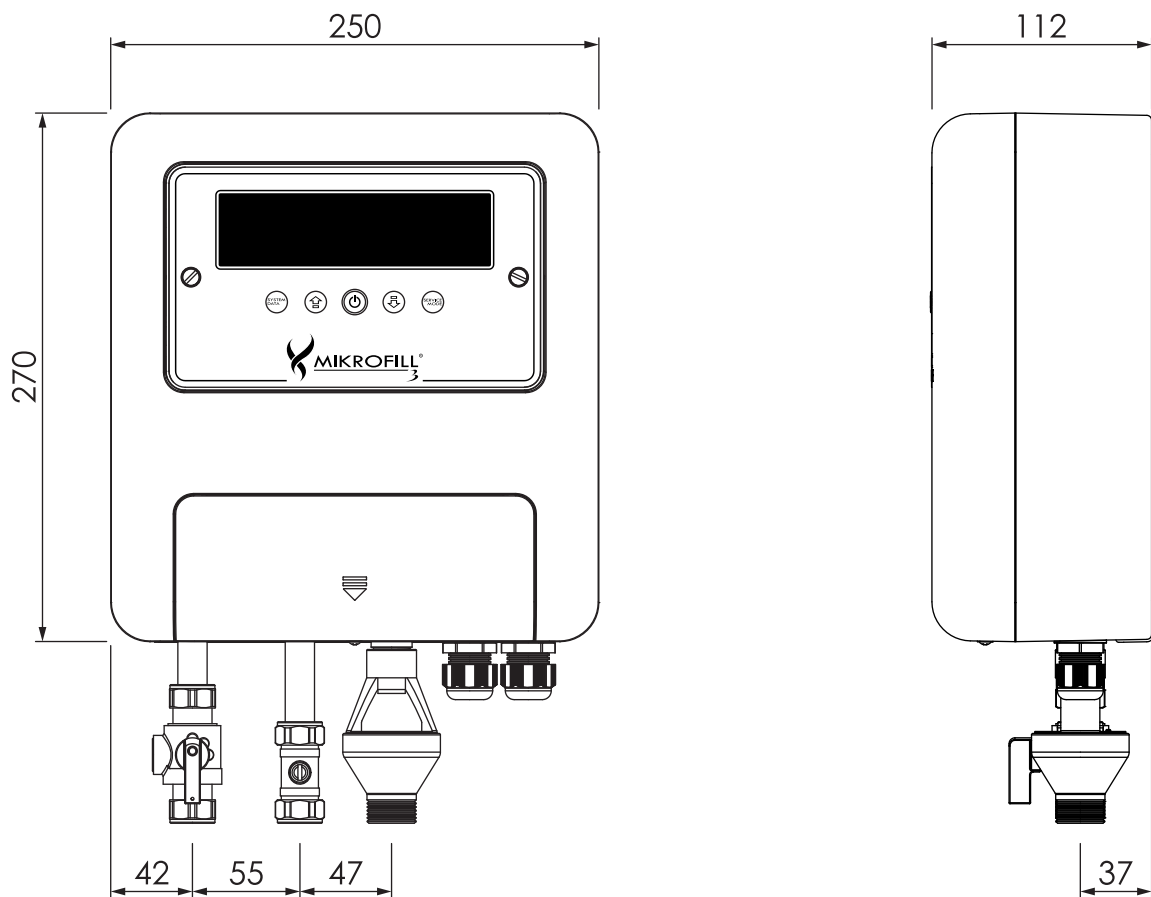
ADVANTAGES OVER A RPZ VALVE

	TRADITIONAL RPZ	MIKROFILL 3
ANNUAL INSPECTION	c£140	NO ANNUAL INSPECTION REQUIRED
SYSTEM VOLUME INDICATOR	NOT INCLUDED	✓
PRESSURE MANAGEMENT	NOT INCLUDED	COMPREHENSIVE ELECTRONIC PRESSURE MANAGEMENT
HIGH/LOW LEVEL PRESSURE FAULT INDICATION	NOT INCLUDED	✓
LEAK DETECTION	NOT INCLUDED	✓
SYSTEM FAULT DIAGNOSTICS	NOT INCLUDED	✓
BUILDING MANAGEMENT SYSTEM (BMS) CAPABILITY	NOT INCLUDED	INTELLIGENT BMS CAPABILITY

TECHNICAL SPECIFICATION

GENERAL	
APPROVALS / CONFORMITY CERTIFICATION	WRAS APPROVED PRODUCT (1212069) UKCA, CE
WARRANTY	2 YEARS
CONNECTIONS	
COLD WATER INLET	15 mm Compression
SYSTEM OUTLET	15 mm Compression
DRAIN (VIA TUNDISH)	3/4" BSP
MAXIMUM INLET PRESSURE	5 bar
MAXIMUM COLD FILL PRESSURE	4.7 bar
NOMINAL FLOW RATE	14 l/min
DIMENSIONS	
HEIGHT X WIDTH X DEPTH	270 mm x 250 mm x 112 mm
DRY WEIGHT	5 Kg

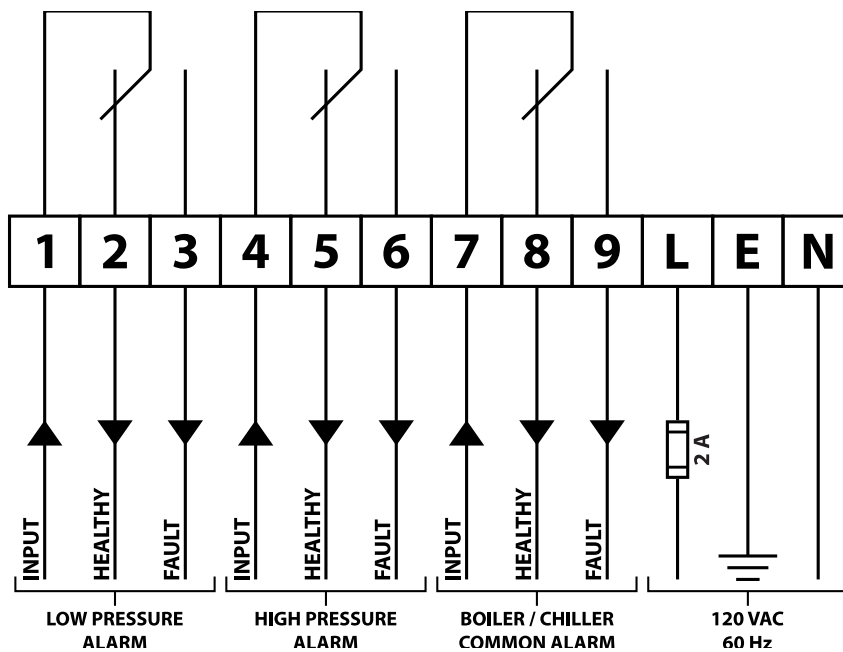
DIMENSIONS



TECHNICAL SPECIFICATION

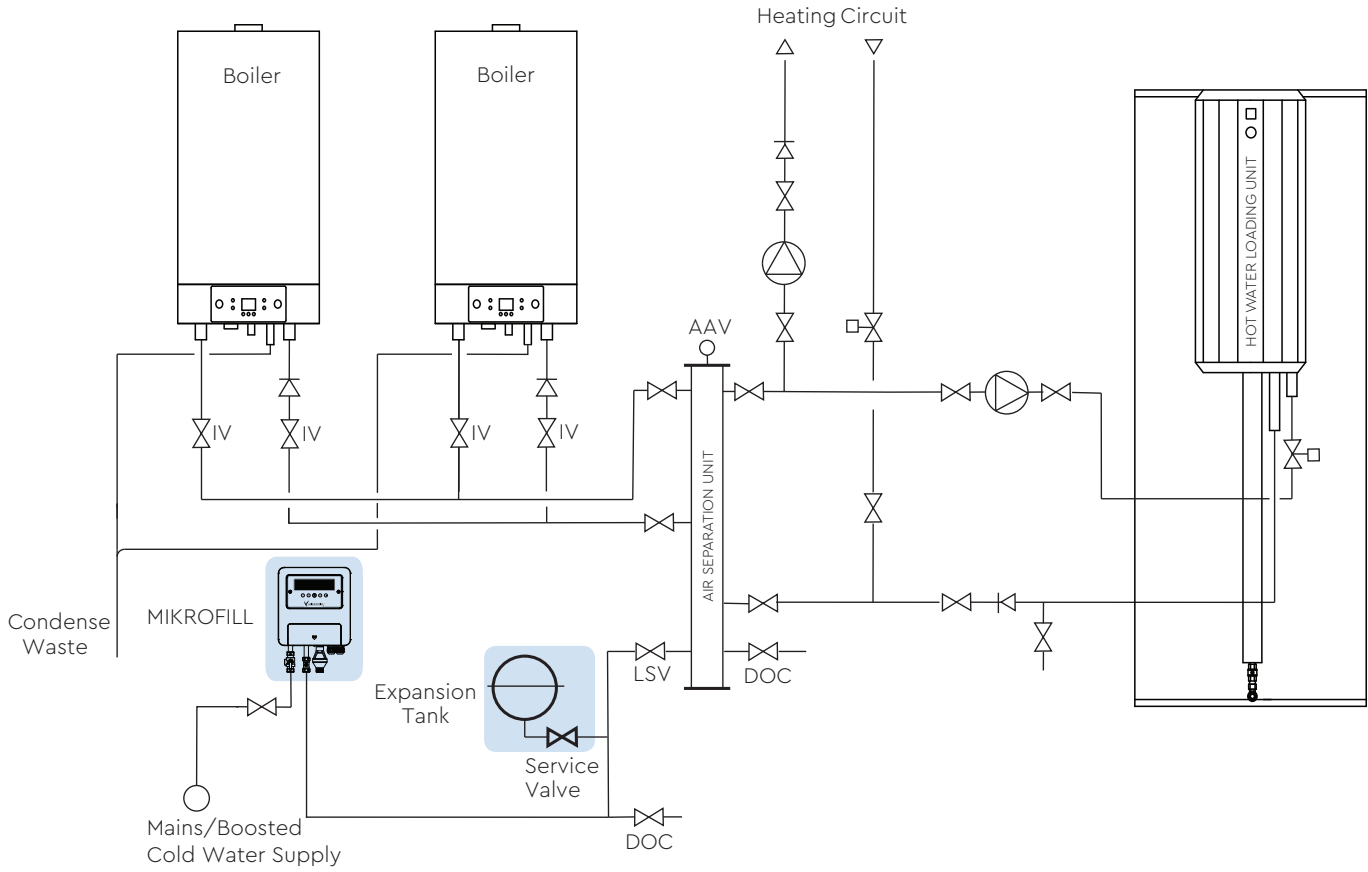
ELECTRICAL	
SUPPLY VOLTAGE	120 Volt / 1 PH / 3 A
FULL LOAD CURRENT	1 A
START CURRENT	1 A
FUSE RATING	3 A
MAXIMUM LOAD BMS RELAYS	240VAC / 5 A

ELECTRICAL SCHEMATIC (WHEN NOT AT FAULT)



TECHNICAL SPECIFICATION

TYPICAL INSTALLATION SCHEMATIC



We recommend the Mikrofyll 3 unit is installed into a 'neutral point' on the system as indicated above.



PRODUCT RANGE

Mikrofill are innovative UK designers and manufacturers of commercial condensing boilers, hot water loading systems, dosing pots and pressurisation equipment.

BOILERS

Ethos Boilers

Designed and manufactured in the UK the Ethos stainless steel wall mounted and floor standing boiler ranges offer individual outputs from 70 – 550kW.



HOT WATER GENERATION

Extreme Loading Systems

Hot water generator combining the advantages of both an instantaneous hot water heater and a storage system.



DOSING POTS

Dosing Pots

A range of wall mounted chemical dosing pots for the dosing of corrosion inhibitors or anti-freeze into closed heating or chilled water systems.



BOOSTER SETS

Aquabost Booster Sets

A comprehensive range of cold water booster sets, integrated booster systems and bespoke solutions



PRESSURISATION

Mikrofill 3, Maxi & Maxi Plus

A range sealed system pressurisation units representing the ultimate in design, technology, quality and system control.



MIKROVENT

Low Loss Headers

A range of Low Loss Headers and Air and Dirt Separators suitable for connected loads of up to 1000 kW





Mikrofill Systems Ltd
11 Merse Road
North Moons Moat
Redditch
Worcestershire
B98 9HL
United Kingdom
T + 44 (0)3452 606020
E info@mikrofill.com
mikrofill.com