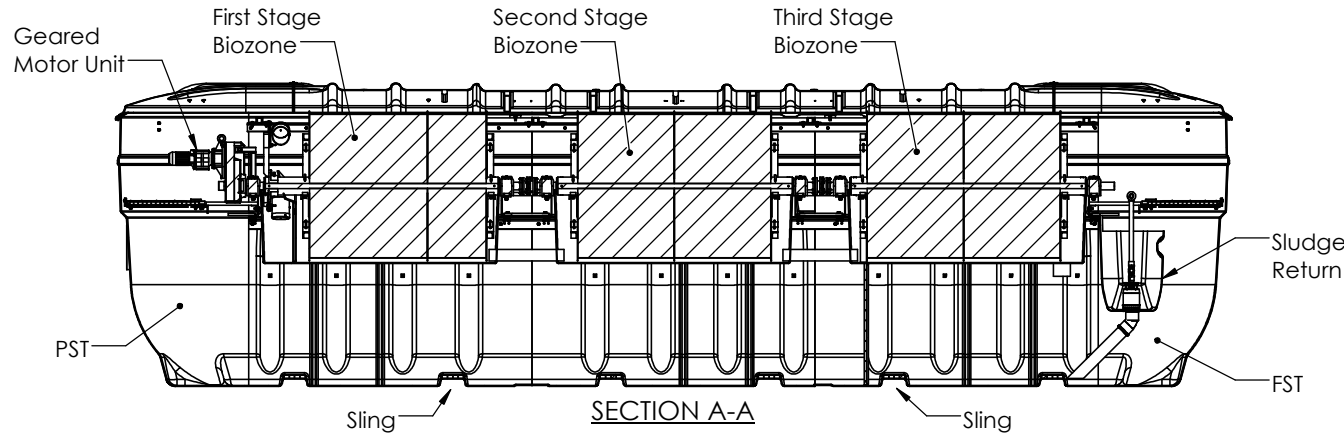
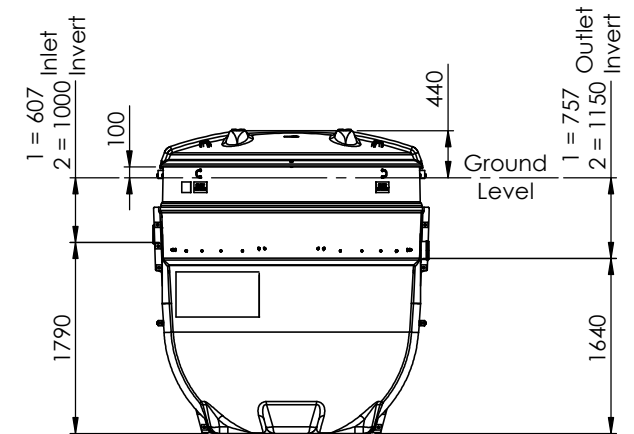
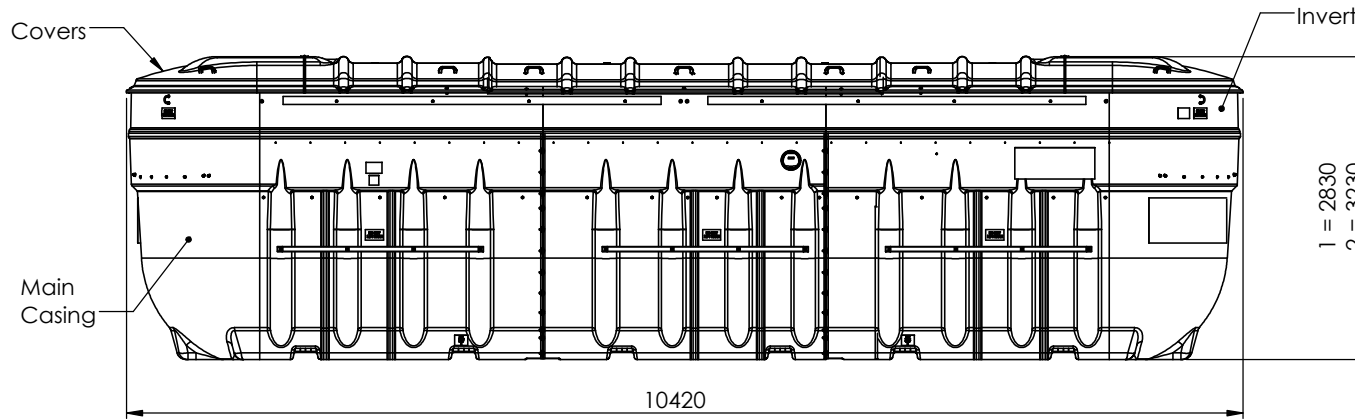


Isometric View



Notes:-

1. All Inlet And Outlet Pipework To Be 6" PVCu
2. Unit Must Be Slung In Positions Shown.



Please Check with Kingspan Environmental For The Latest Issue Of This Drawing

Issue	Date	Drawn by	Approved by	Description
03	19/01/16	W.DYER		Weight corrected In Drawing Border
02	21.10.16	T.Kelly		CC1337 - Design & Build Modifications Incorporated
01	28/07/16	L.Steward		Initial Issue

Material : Various	Tolerance (unless stated) :
Finish :	Thickness : n/a
Weight : 5500 Kg	Surface Area :
Modelled By : Name	

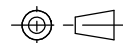
Drawing : DS1292P

Page 1 of 1

BM Biodisc General Assembly - Sales Drawing

All Dimensions In mm

Scale: Do Not Scale



Third Angle Projection

Kingspan Environmental reserve the right to alter the details of this drawing without prior notice. This drawing is copyright and may not be reproduced or used without the written permission of Kingspan Environmental

