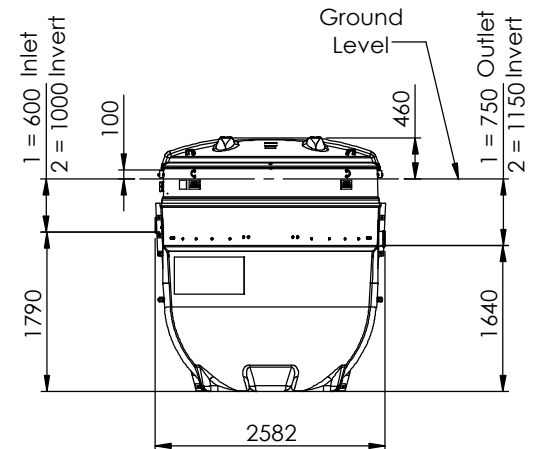
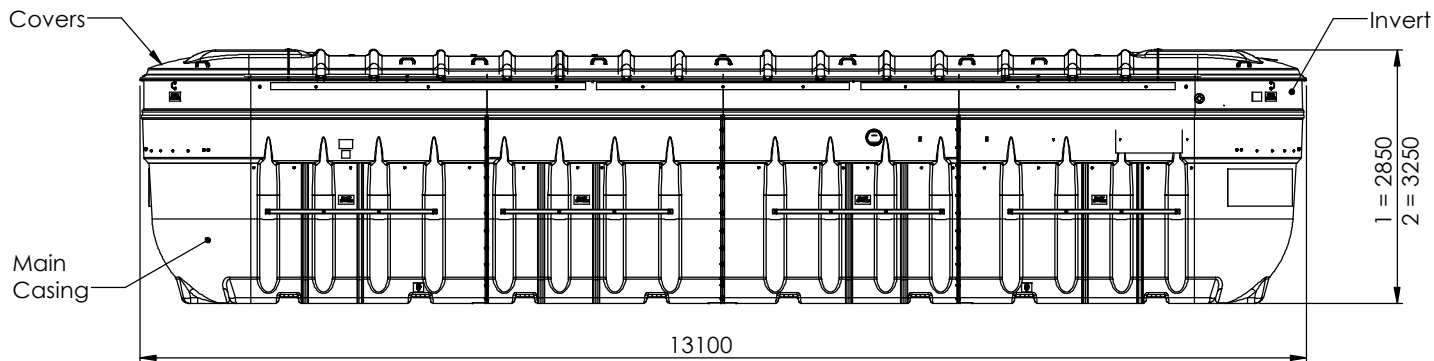


Notes:-

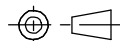
1. Inlet And Outlet Pipework To Be 6" PVCu
2. Unit Must Be Slung In Positions Shown.



Please Check with Kingspan Environmental For The Latest Issue Of This Drawing				Description	Material : Various	Tolerance (unless stated) :	Drawing : DS1334
Issue	Date	Drawn by	Approved by				
01	21.08.17	T.Kelly		CC1392 - Initial Issue	Finish :	Thickness : n/a	Page 1 of 1
					Weight : 5750 kg	Surface Area : m ²	
					Modelled By : T.Kelly		

All Dimensions In mm

Scale: Do Not Scale



Third Angle Projection

Kingspan Environmental reserve the right to alter the details of this drawing without prior notice. This drawing is copyright and may not be reproduced or used without the written permission of Kingspan Environmental

