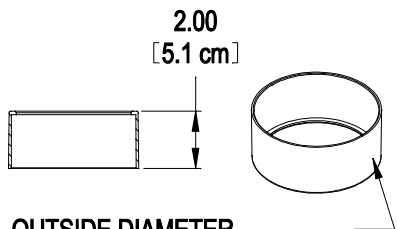


RETAINING CLIPS  
PREVENT FILTER  
FROM FLOATING

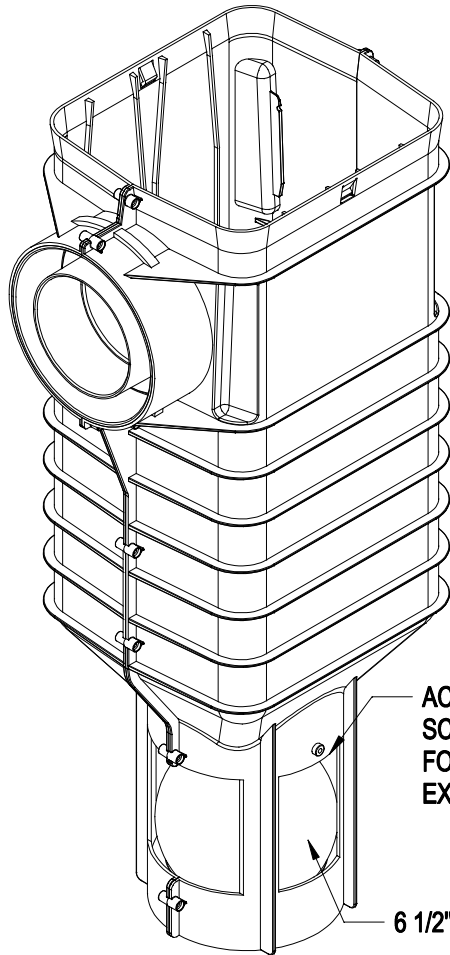


2.00  
[5.1 cm]

OUTSIDE DIAMETER  
ACCEPTS 4" SCHD 40 SOCKET

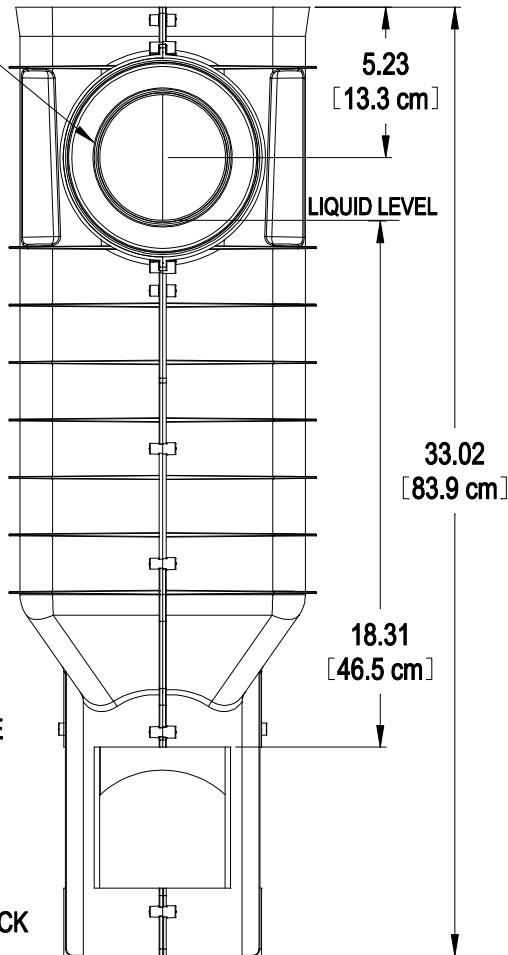
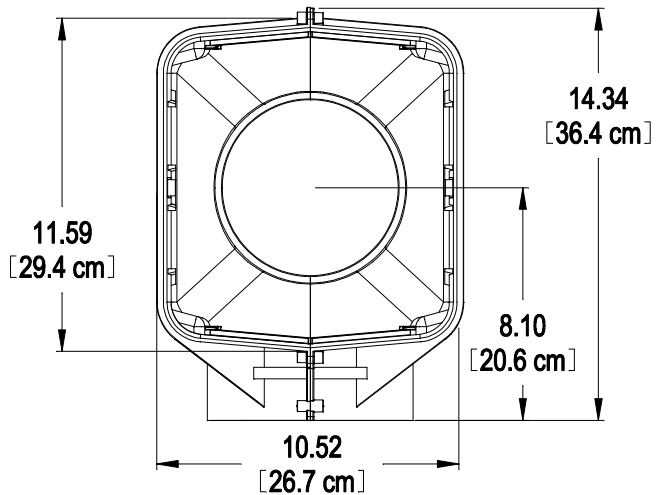
OPTIONAL BUSHING  
(FOR 4" THIN WALL PIPE)  
PART NO. 30142-R  
OR  
(FOR 110 MM. PIPE)  
PART NO. 30142-EUR

OUTLET BUSHING ACCEPTS  
4" SCHD 40 & 6" SCHD 40

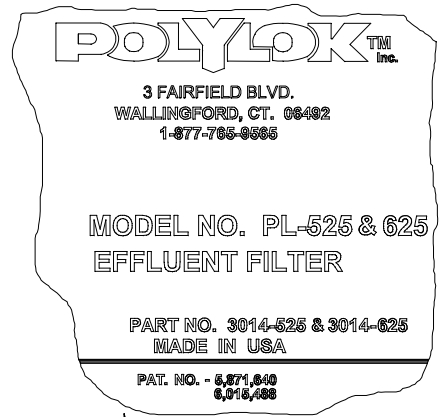


ACCEPTS 6"  
SCHD 40 PIPE  
FOR INLET  
EXTENSION

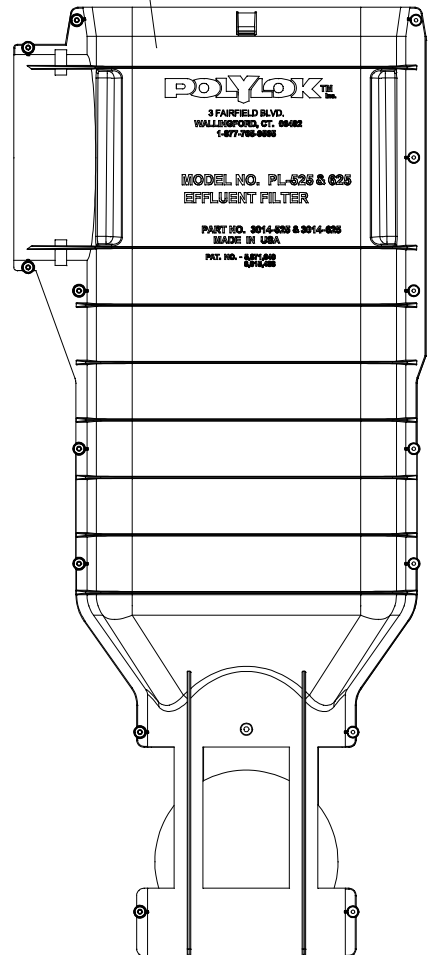
6 1/2" BALL CHECK



LIQUID LEVEL



LABEL ILLUSTRATION



PL-525 -625 FILTER HOUSING  
PART NO. - 30142-525  
30142-625