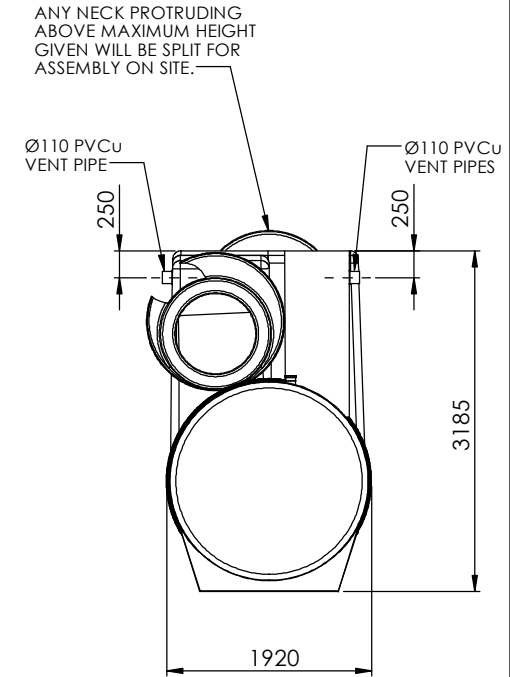
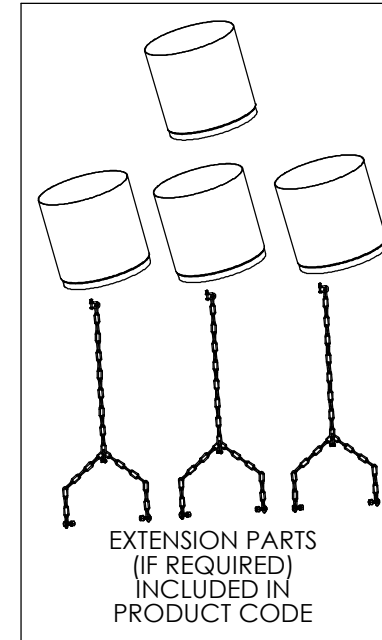
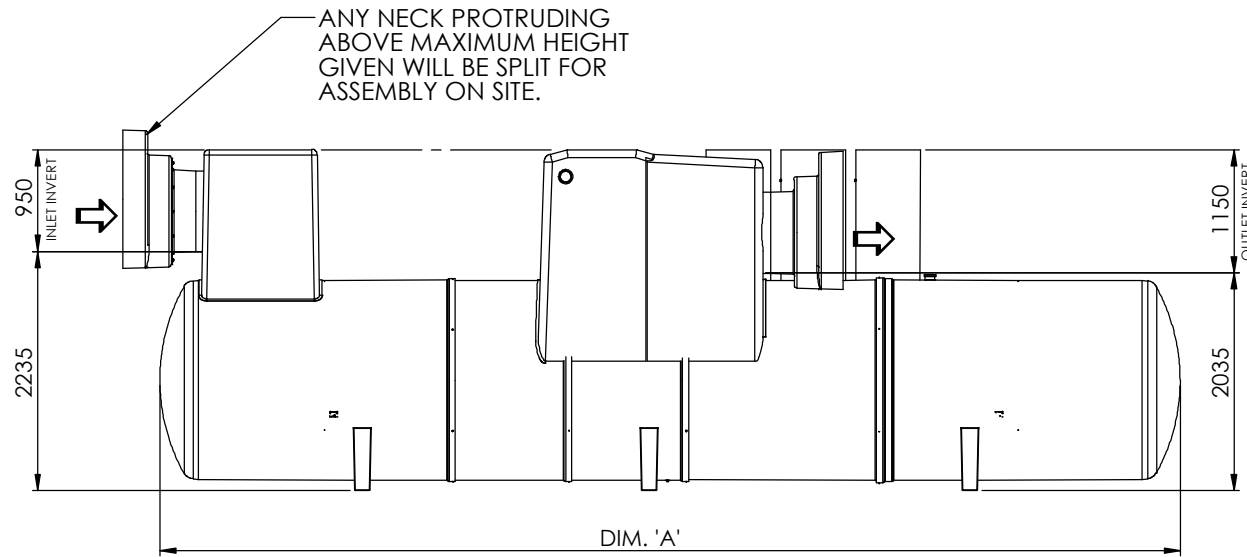


NOTES

1. UNITS ARE SUPPLIED WITH THE STANDARD (MINIMUM) PIPEWORK SIZE, AND ORIENTATION SHOWN ON THE DRAWING. THE STANDARD EN858-1 STATES MINIMUM CONNECTION SIZES, UNITS ORDERED WITH DIFFERENT SIZE CONNECTIONS MAY NOT BE FULLY COMPLIANT WITH THE STANDARD. PLEASE CONSULT OUR SALES DEPARTMENT FOR DETAILS OF AVAILABLE OPTIONS, BUT PLEASE NOTE WE DO NOT ALTER INTERNAL PIPEWORK.
2. ALL UNITS SUPPLIED ARE CLASS 1 AND INCLUDE A COALESCER.
3. EXTENSION PARTS FOR DEEPER INVERTS CAN BE PROVIDED FOR ON SITE ASSEMBLY.
4. ALL UNITS REQUIRE APPROPRIATE CONCRETE BASE, COVER AND FRAME TO SUIT APPLIED LOADINGS.
5. THIS DRAWING SHOULD BE USED FOR DIMENSIONAL INFORMATION ONLY.
6. A Ø76mm TUBE IS SUPPLIED TO HOUSE AN OIL ALARM PROBE.

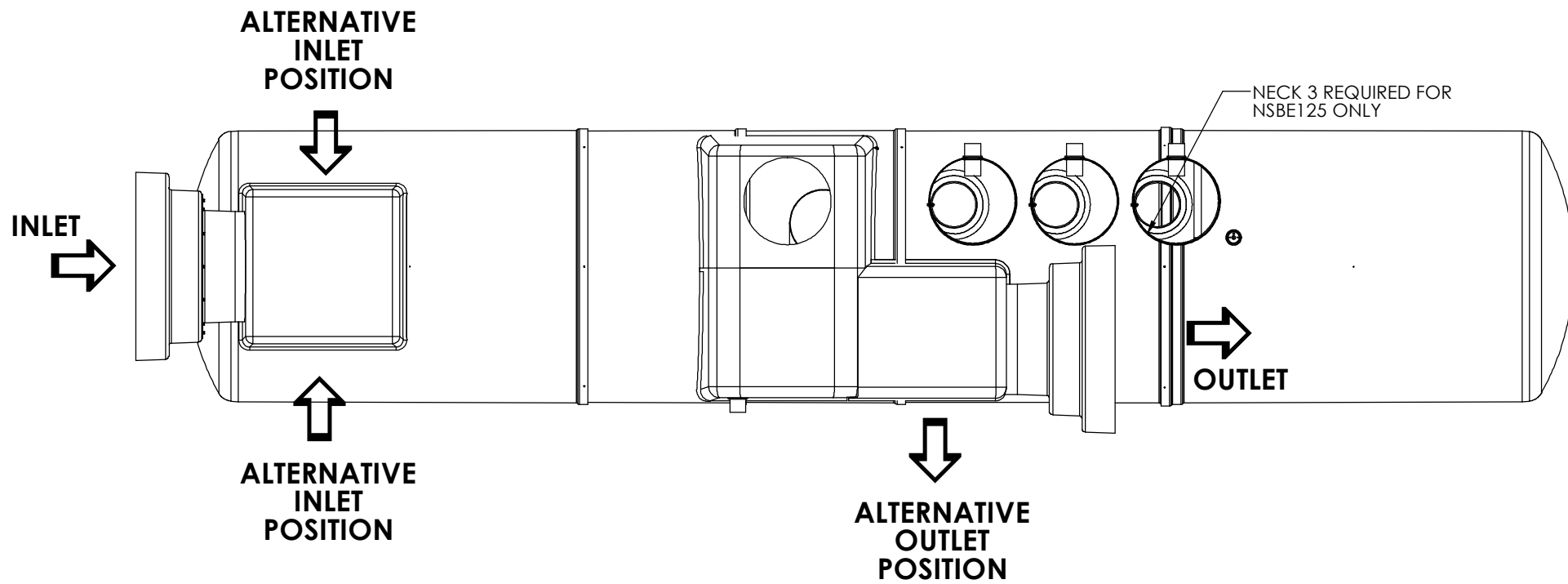
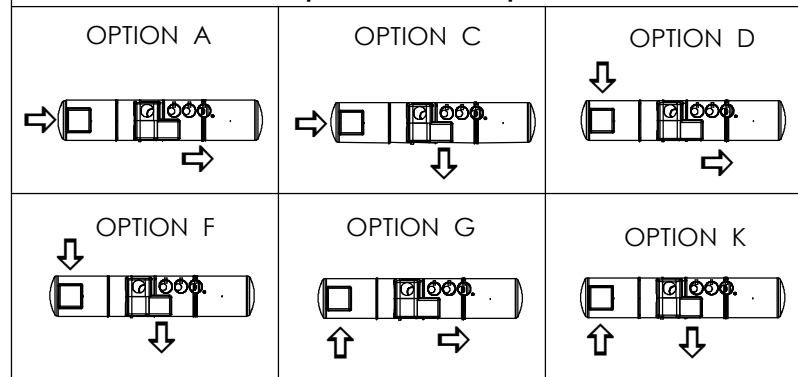


UNIT	NOMINAL FLOW (l/sec.)	DIM.'A'	DIM.'B'	STD. PIPE Ø	NECK 1 FITTED	NECK 2 FITTED	NECK 3 FITTED	APPROX. EMPTY WEIGHT (kg)	FALL ACROSS UNIT
NSBE075	75.0	5841	2333	675	✓	✓		1122	200
NSBE100	100.0	7661	3122	750	✓	✓		1300	200
NSBE125	125.0	9548	4136	750	✓	✓	✓	1560	200

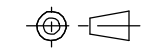
Please Check with Environmental Treatment Systems Limited For The Latest Issue Of This Drawing				Material : Unfilled Spray		Tolerance (unless stated) : ±0.5mm		Drawing : DS1225 Page 1 of 2	
Issue	Date	Drawn by	Approved by	Finish : n/a		Thickness : 3mm			
02	15.02.18	T.Kelly		CC1405 - Coalescer Extension Chains were Pipes		Weight : 5.52kg Min		NSBE075 - NSBE125 Bypass Separators	
01	03.03.14	T.Kelly		CC981 Phase 3 - Sales Issue		Surface Area : EXT 2.02 m ²			
All Dimensions In mm			Scale: Do Not Scale		 Third Angle Projection		Kingspan Environmental reserve the right to alter the details of this drawing without prior notice. This drawing is copyright and may not be reproduced or used without the written permission of Kingspan Environmental		
R:\Drawing Data\02 - Sales Drawings\DS\DS - 12\DS1225									



z = Pipe Orientation Options



Material : Various	Tolerance (unless stated) :	Drawing : DS1225	Page 2 of 2
Finish :	Thickness : n/a		
Weight : 1351.68 Kg	Surface Area : m ²	NSBE075 - NSBE125 Bypass Separators	
Modelled By :			

All Dimensions In mm	Scale: Do Not Scale	 Third Angle Projection
R:\Drawing Data\02 - Sales Drawings\DS\DS - 12\DS1225		

Kingspan Environmental reserve the right to alter the details of this drawing without prior notice. This drawing is copyright and may not be reproduced or used without the written permission of Kingspan Environmental

