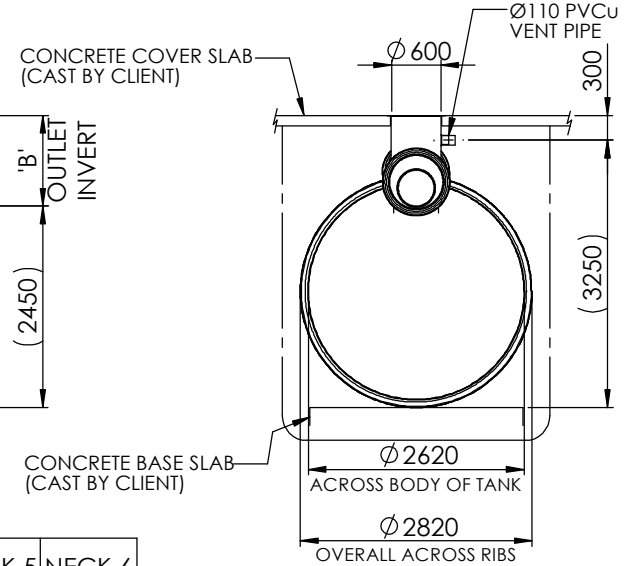


NOTES

1. BS EN 858 STATES MINIMUM CONNECTION SIZES, UNITS ORDERED WITH DIFFERENT SIZE CONNECTIONS ARE NOT FULLY COMPLIANT WITH THE STANDARD. ALTERNATIVE CONNECTORS MAY BE ORDERED.
2. EXTENSION NECKS FOR DEEPER INVERTS CAN BE PROVIDED IN 0.5m INCREMENTS FOR ON SITE ASSEMBLY. MAX 2.0m INVERT RECOMMENDED.
3. ALL UNITS REQUIRE APPROPRIATE COVER & FRAME TO SUIT APPLIED LOADINGS.
4. THIS DRAWING SHOULD BE USED FOR DIMENSIONAL INFORMATION ONLY. IT IS ESSENTIAL THAT THIS DRAWING IS READ IN CONJUNCTION WITH INSTALLATION GUIDELINES SUPPLIED WITH THE UNIT (COPIES ARE AVAILABLE FROM OUR SALES DEPT.).
5. STANDARD PIPE ORIENTATION SHOWN. FOR OTHER AVAILABLE OPTIONS SEE TDS0033.
6. THIS DRAWING IS ALSO AVAILABLE ON OUR WEBSITE www.kingspanenv.com



UNIT REF.	UNIT CLASS	NOMINAL FLOW RATE (L/s)	APPROX. EMPTY WEIGHT (kg)	'L' OVERALL LENGTH	'A' BASE TO INLET INVERT	'B' OUTLET INVERT	'C' STD. PIPE DIA. (GRP)	NECK 1 FITTED	NECK 2 FITTED	NECK 3 FITTED	NECK 4 FITTED	NECK 5 FITTED	NECK 6 FITTED
NSFA080	1	80	1250	5744	2500	1050	300	✓	✓				
NSFA100	1	100	1350	6200	2500	1050	375/400	✓	✓				
NSFA125	1	125	1700	7365	2500	1050	450	✓	✓	✓			
NSFA150	1	150	2000	8675	2550	1100	500/525	✓	✓	✓			
NSFA175	1	175	2400	9975	2550	1100	500/525	✓	✓	✓	✓		
NSFA200	1	200	2700	11280	2550	1100	600	✓	✓	✓	✓		
NSFA210	1	210	2900	11994	2550	1100	600	✓	✓	✓	✓	✓	
NSFA225	1	225	3100	12766	2550	1100	600	✓	✓	✓	✓	✓	✓
NSFA240	1	240	3300	13582	2550	1100	600	✓	✓	✓	✓	✓	✓
NSFA255	1	255	3450	14300	2550	1100	600	✓	✓	✓	✓	✓	✓
NSFA270	1	270	3600	15071	2550	1100	600	✓	✓	✓	✓	✓	✓
NSFA285	1	285	3800	15833	2550	1100	600	✓	✓	✓	✓	✓	✓

Please check with Kingspan Environmental For The Latest Issue Of This Drawing				Material : n/a		Tolerance : n/a	
Issue	Date	Drawn by	Description	Finish : n/a		Thickness : n/a	
04	11.03.19	T.Kelly	CC1444 - Units now built to 1.0m Invert First Fix	Weight : n/a		Surface Area : n/a	
03	03.04.18	T.Kelly	CC1425 - Units 210 to 285 Added : Class 2 Reference Deleted				

Drawing : DS0896P Page 1 of 1

NSFA080 - NSFA285 Full Retention Separators

All dimensions in mm Scale: Not to scale

Kingspan reserve the right to alter the details of this drawing without prior notice. This drawing is copyright and may not be reproduced or used without the written permission of Kingspan.

