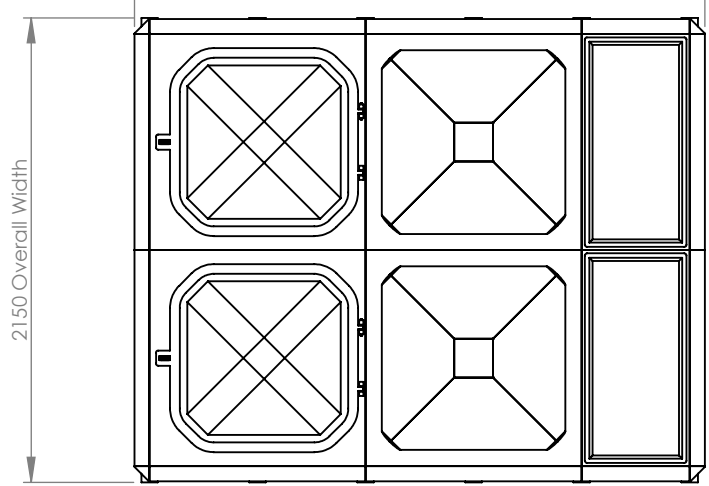
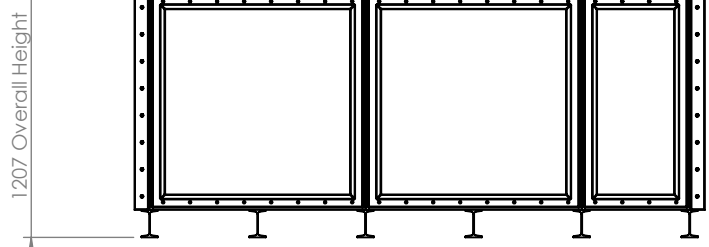


2640 Overall Length

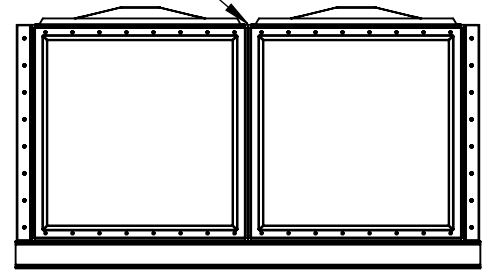


2150 Overall Width



1207 Overall Height

Internal Division



TITLE  
PW.2.5x2x1.IFB.DIV.AG

DRAWN BY J. Ellison DATE 07/02/2022  
CUSTOMER CUSTOMER

NOTE:  
Tanks Direct sectional tanks must be fully supported on a flat, level & continuous foundation which provides structural support to the tank when full to a maximum capacity. It is essential that the installer and/or user refers to the conditions of the installation document prior to the installation of the tank. Under no circumstances should any part of the tank structure be used to provide support to pipework and/or any ancillary items.

ALL DIMENSIONS +/- 5mm UNLESS OTHERWISE STATED

DESCRIPTION:  
PW.2.5x2x1.IFB.DIV.AG Sectional cold water storage tank c/w access manways to provide an AG Air gap

ALL DIMENSIONS IN MM - DO NOT SCALE

DATE	VERSION	NOTES
24/01/2022	A	FIRST ISSUE

TANK SPECIFICATION :	
INTERNAL DIMENSIONS	2500 x 2000 x 1000mm
EXTERNAL DIMENSIONS	2640 x 2150 x 1207mm
NOM. CAPACITY	5000 Litres
INSULATION THICKNESS	25mm
MATERIAL	Hot press moulded GRP



SCALE:1:35 SHEET 1 OF 1