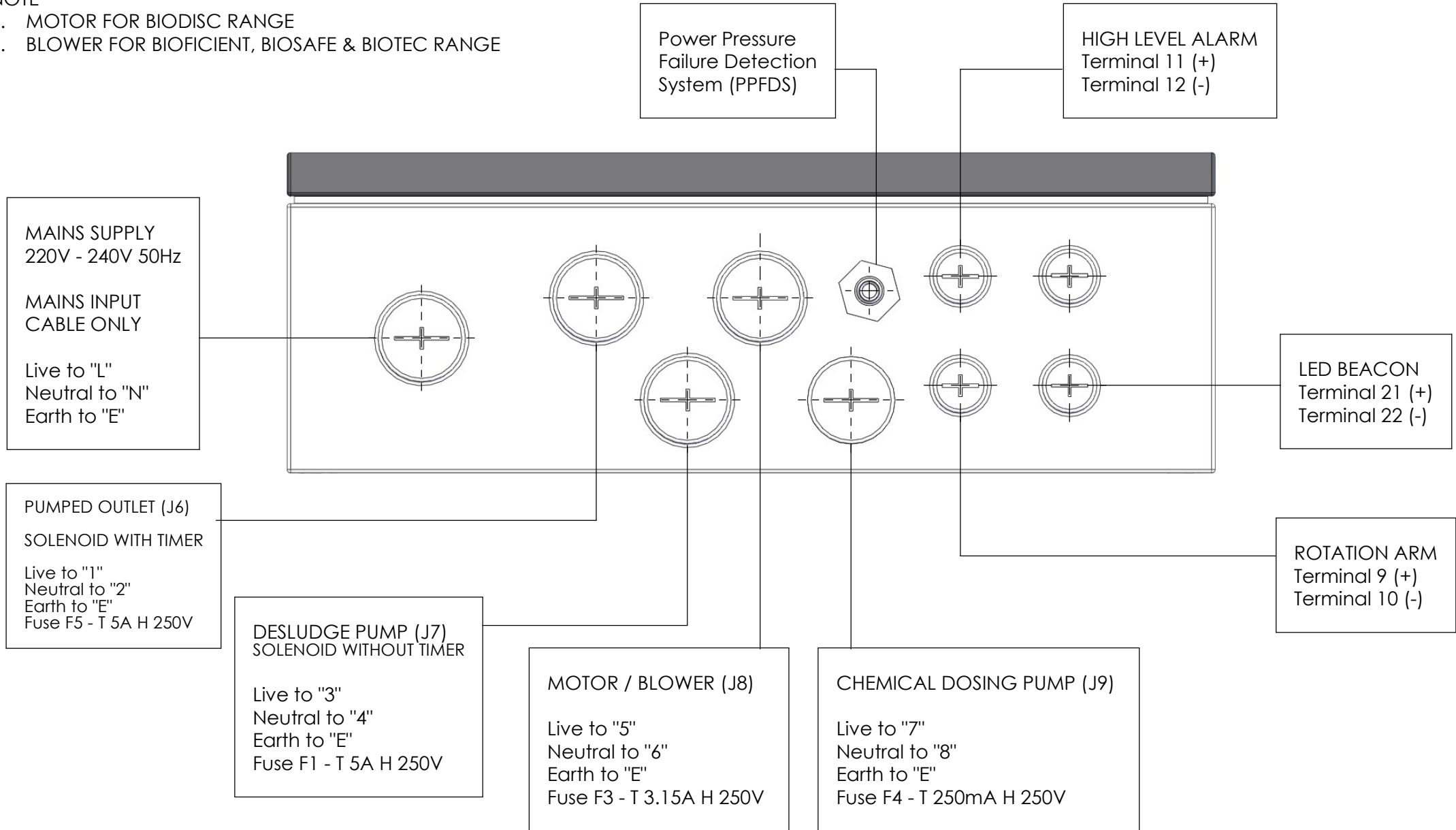


NOTE

1. MOTOR FOR BIODISC RANGE
2. BLOWER FOR BIOFICIENT, BIOSAFE & BIOTEC RANGE



Please check with Kingspan Water & Energy for the latest Issue of the drawing				
Issue	Date	Drawn By	Approved By	Description
02	01/04/2022	Viaasan K	V.K.	Revision - ECN 1611
01	26/10/2021	D. Musvaburi	D.M	Initial Issue

LN Number : 1011027	Tolerance (unless stated) : +/- 1mm
Finish :	Thickness :
Weight : 1.0 kg	Surface Area : m ²
Modelled By :	Material : Material <not specified>

Drawing : 1011027 DTP Control Panel Wiring
 DTP Control Panel - Wiring Page 1 of 2

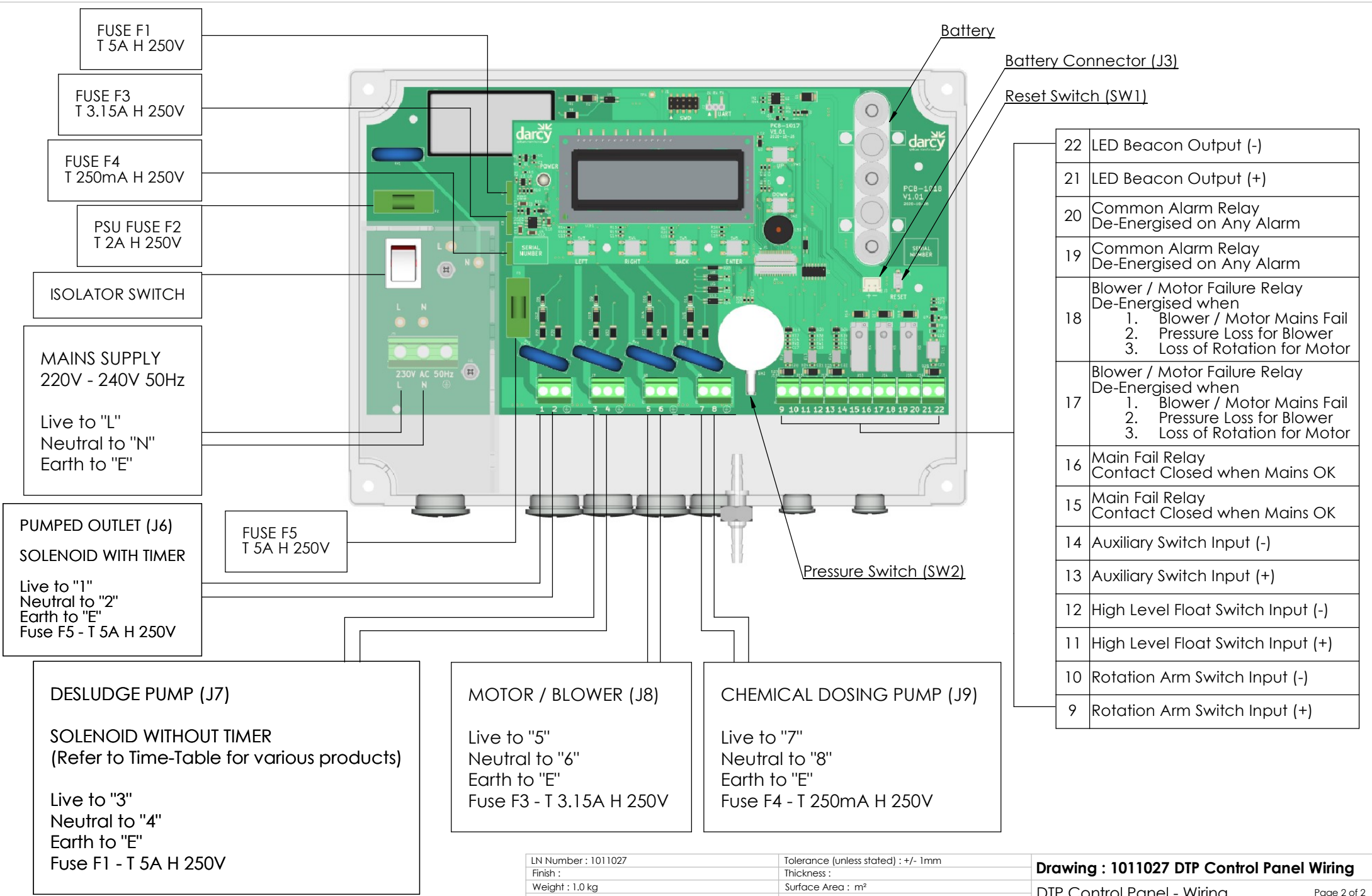
All Dimensions In mm Scale: Do Not Scale


 Third Angle Projection

M:\Wastewater\Engineering\Drawing Data\09 - LN Components\Control Panel\1002510\1011027 DTP Control Panel Wiring

Kingspan Water & Energy reserve the right to alter the details of this drawing without prior notice. This drawing is copyright and may not be reproduced or used without the written permission of Kingspan Water & Energy





LN Number : 1011027	Tolerance (unless stated) : +/- 1mm
Finish :	Thickness :
Weight : 1.0 kg	Surface Area : m ²
Modelled By :	Material : Material <not specified>

Drawing : 1011027 DTP Control Panel Wiring
DTP Control Panel - Wiring Page 2 of 2