



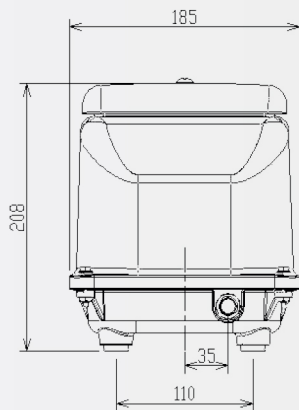
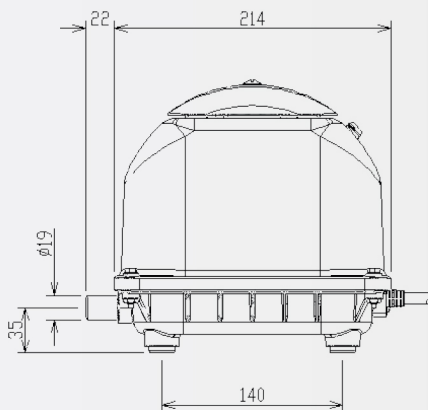
JDK Series

JDK - 60 / JDK - 80

Product Characteristics

- Compact Design
- Low Energy Consumption
- Protective Switch Inclusive
- LED Service Light (Cable Option)
- Connecting Hose Included
- Aluminium Housing

Dimensions



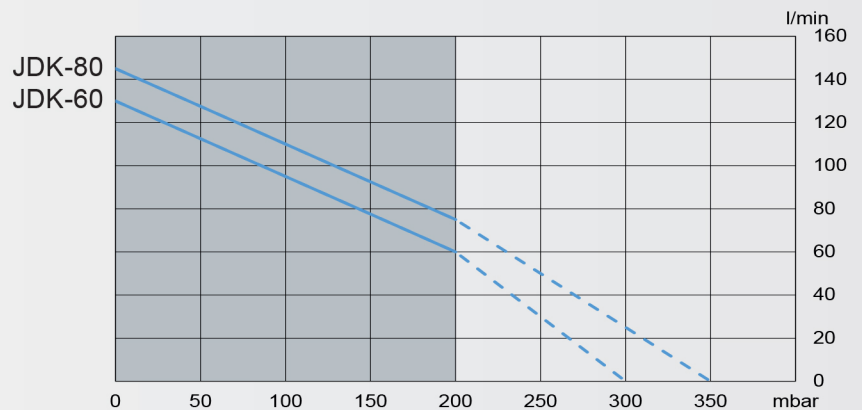
Technical Data

Model			JDK-60	JDK-80
Air Flow l/min	l/min	0 mbar	130	145
		50 mbar	125	130
		100 mbar	105	115
		150 mbar	85	90
		200 mbar	60	75
Voltage	V		230	
Power Consumption	W	200 mbar	40	50
Noise Level	dB(A)		36	38
Dimensions	mm	L x W x H	214 X 185 X 211	
Connection	mm	ø outside	19	
Net Weight	Kg		6.4	

1) Product performance may vary +/- 10% from performance curves. 2) Values at 50Hz.

Performance Data

230V / 50 Hz, optimal operating span



Spare Parts / Accessories

Spares	BIBUS Code
Service Kit	SE22
Diaphragm Sets	SE24
Filters	SE28
Magnets	SE23
Autostopper	SK53204150
Accessories	
Pressure Gauge	BP1
Pressure Relief Valve	SE11