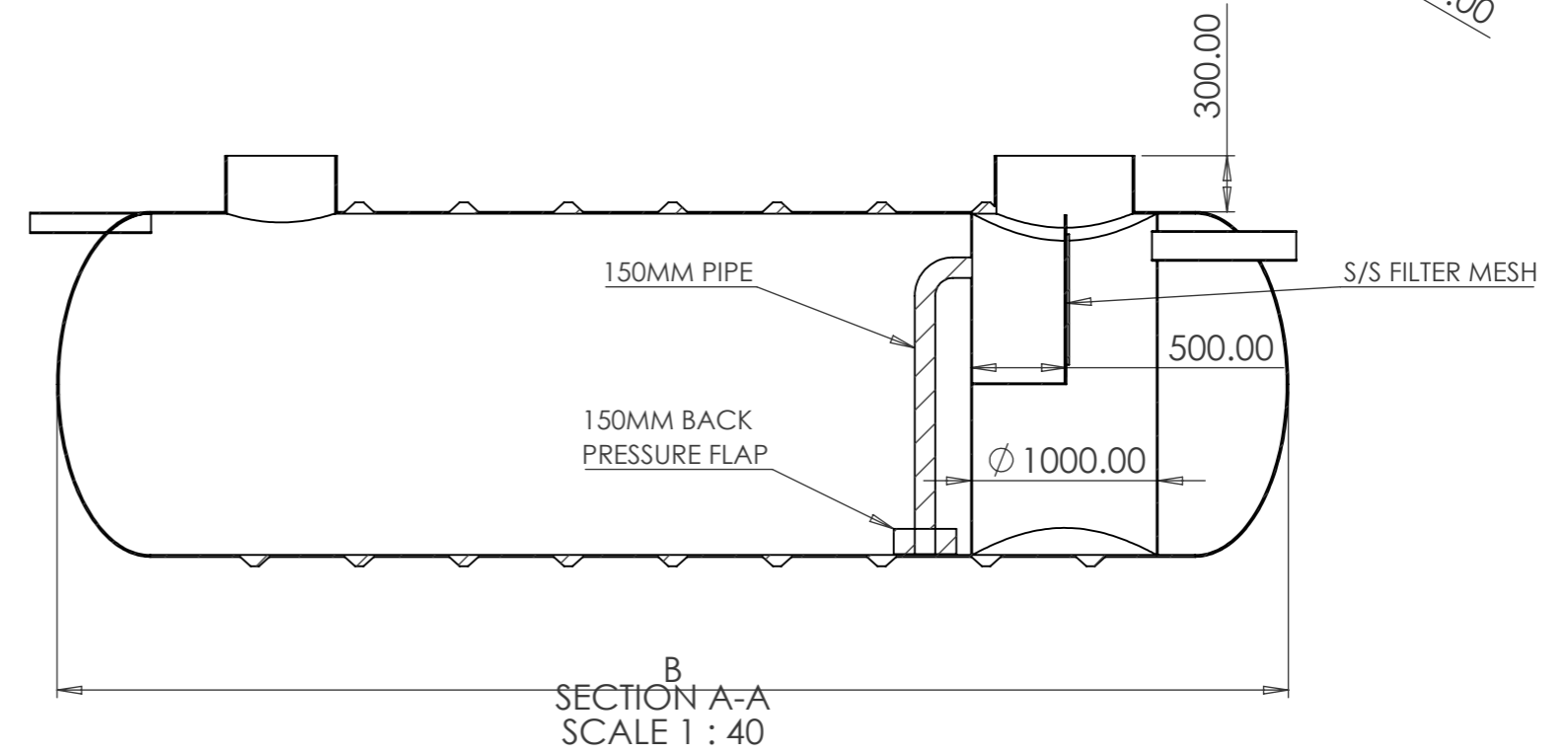
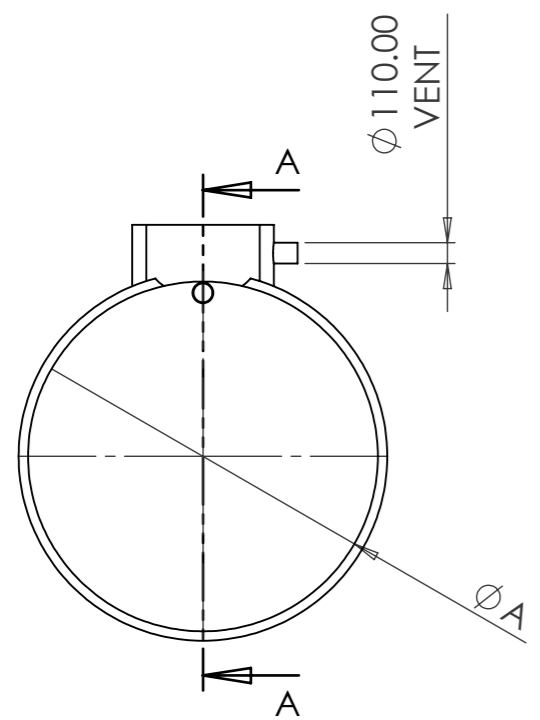
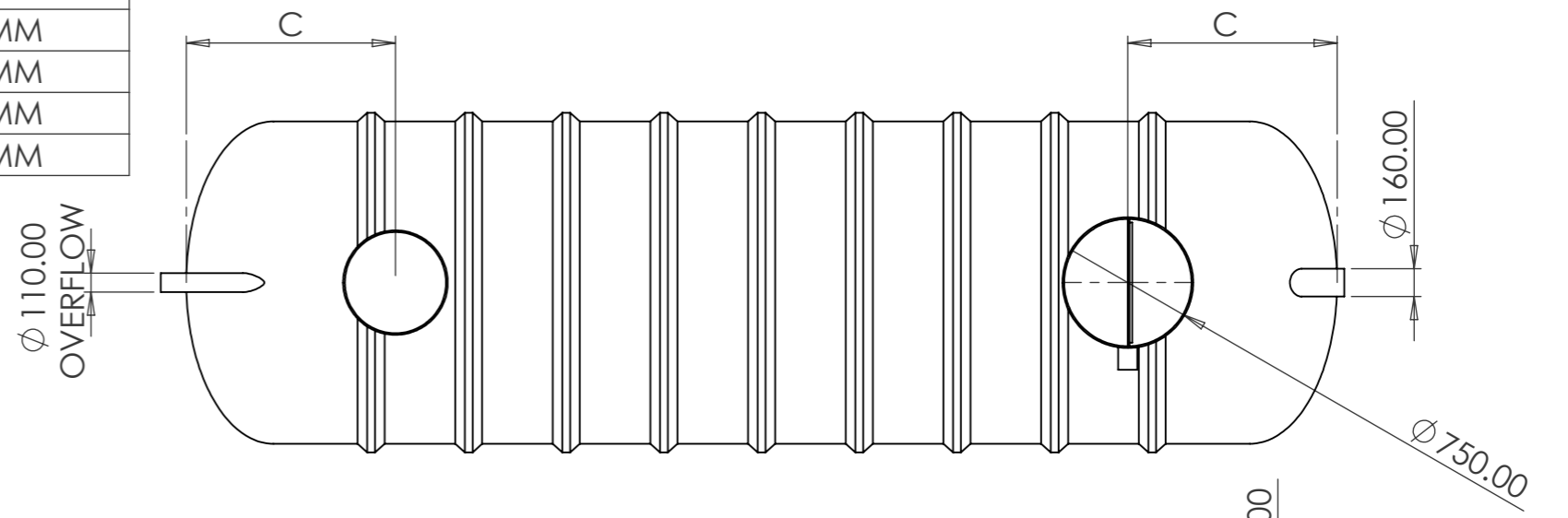
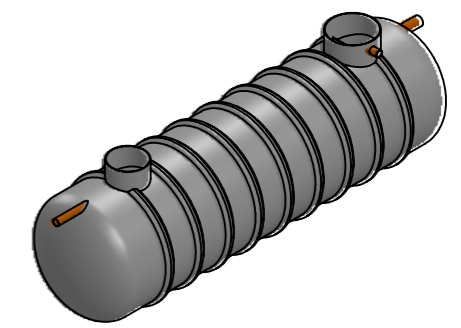


CAPACITY	A	B	C
6000L	1500MM	3600MM	1200MM
8000L	1850MM	3350MM	1200MM
10000L	1850MM	4230MM	1200MM
12000L	1850MM	5070MM	1200MM
14000L	1850MM	5800MM	1200MM
16000L	1850MM	6600MM	1200MM
18000L	1850MM	7160MM	1200MM
20000L	2500MM	4800MM	1600MM
25000L	2500MM	5540MM	1600MM
30000L	2500MM	6550MM	1600MM
40000L	2500MM	8600MM	1600MM
50000L	2500MM	11000MM	1600MM



RAINWATER TANK 6000L - 50,000L

DO NOT SCALE - USE NOTED DIMENSIONS ONLY

Drawn By	CHK'D	APP'D	SCALE	DRAWG No	REV	DATE
RF				2076	A	01/07/2021

THIS DRAWING IS THE PROPERTY OF N.E.C. LTD AND IS NOT TO BE COPIED IN PART OR WHOLE WITHOUT WRITTEN PERMISSION

ALL DIMENSIONS IN MM



DATE	
PRINT NAME	
APPROVAL SIGNATURE	