



# Rainbox Combi

Commercial and Residential  
From Direct Pumps and Tanks

## Table of Contents

Why use the Rainbox Combi?.....	2
How does the Rainbox Combi work?.....	2
System Breakdown.....	2
RainBox Features.....	3
Technical Drawings.....	4
Product Images.....	5



## Why use the Rainbox Combi?

Sustainability and being environmentally conscious are key factors when implementing various aspects of a construction project, the ability to harvest rainwater to reduce the impact on the environment is the primary function of the Direct Pumps and Tanks Rainbox Combi.

In addition to being environmentally friendly the Rainbox Combi has the added benefit of lowering utility costs for the end user by replacing up to 80% of commercially available mains supplied water with collected rain water.

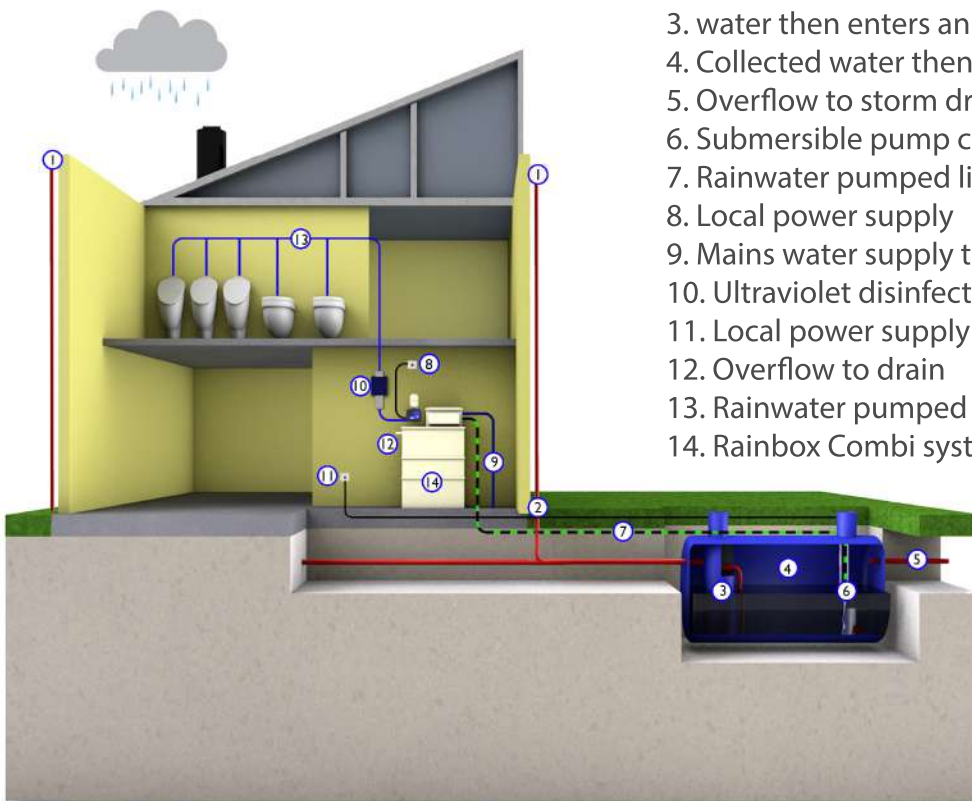
The Rainbox Combi allows you to comply with government mandated code when constructing sustainable housing. Additionally, rainwater harvesting scores highly with the Water Efficiency sector of the BREEAM accreditation scheme and can help gain planning permission by meeting site drainage guidelines (Building Regulations Part H) as part of a sustainable drainage (SUDS) scheme.

## How does the Rainbox Combi Work?

Collected rainwater is pumped or gravity fed to a low level break tank. In turn, the water is then gravity fed to an integral or external booster pump system for onward distribution to the serviced appliances

### System Breakdown

1. Rainwater is collected from the roof area of the property
2. The rainwater then enters sealed gulleys on the property
3. water then enters an internal filter and sediment trap
4. Collected water then sits in the below ground storage tank
5. Overflow to storm drain or soakaway
6. Submersible pump complete with dry run protection
7. Rainwater pumped line to Rainbox Combi system
8. Local power supply
9. Mains water supply to Rainbox Combi system
10. Ultraviolet disinfection unit (Optional but recommended)
11. Local power supply for submersible pump unit
12. Overflow to drain
13. Rainwater pumped from the Rainbox Combi system
14. Rainbox Combi system (with 500L break tank)



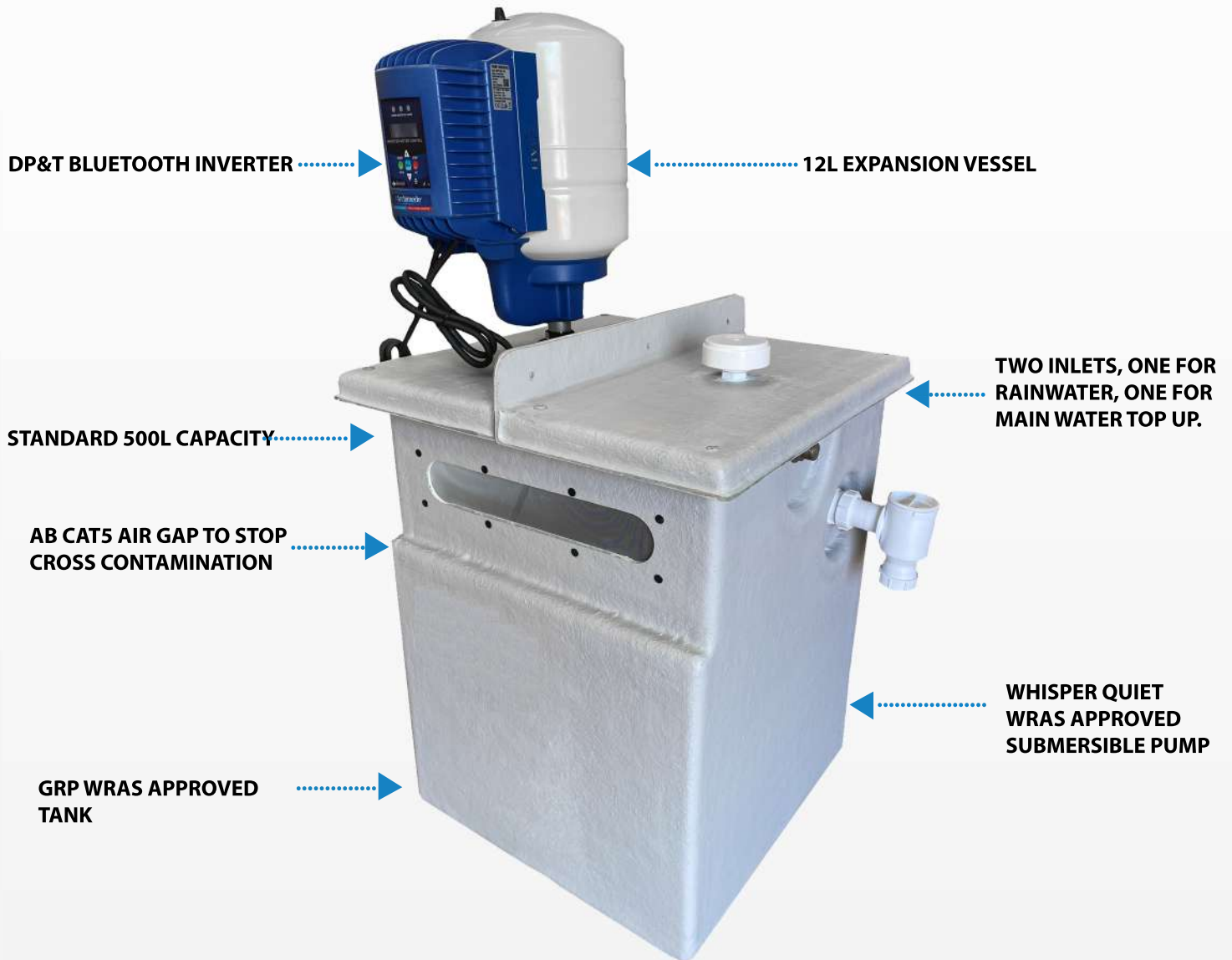
#### Rainbox Combi System.

Collected rainwater is pumped to a low level break tank, in turn the water is then gravity fed to an integral booster pump system for onward distribution to the serviced appliances

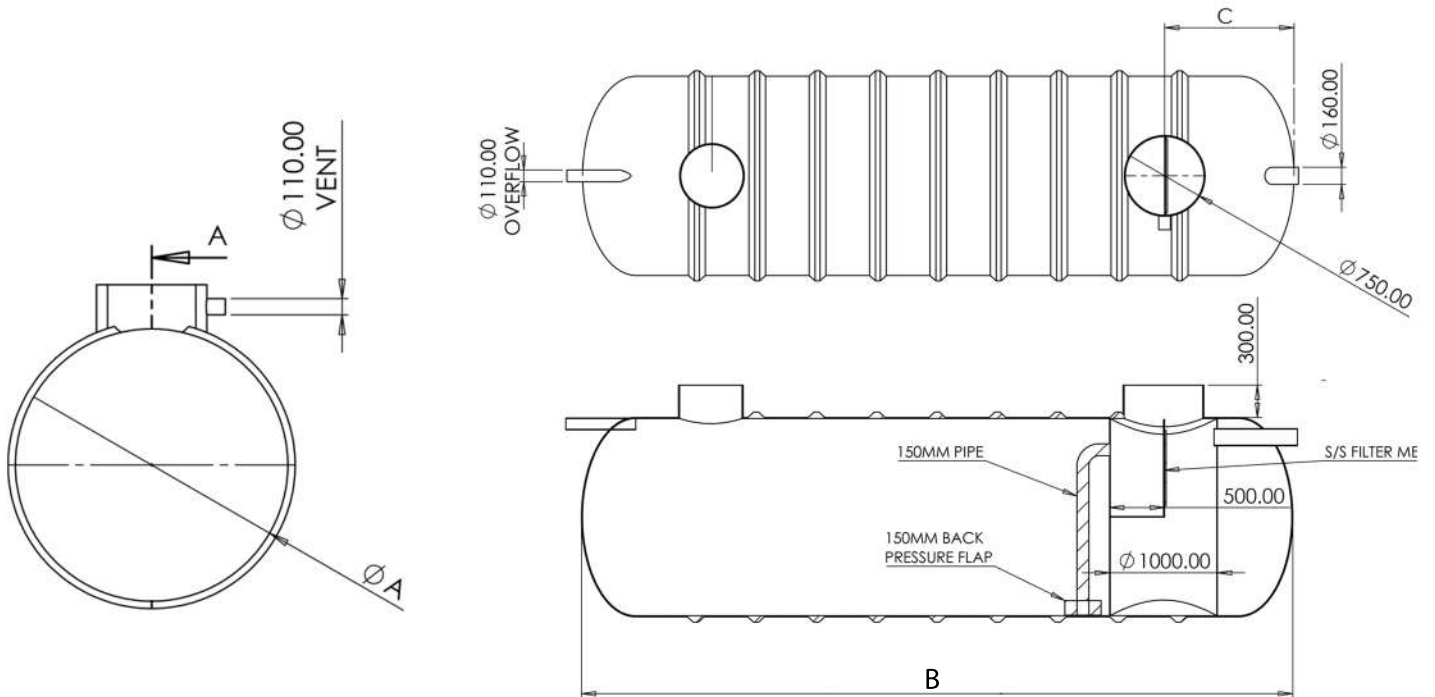




# RainBox Combi Features at a Glance

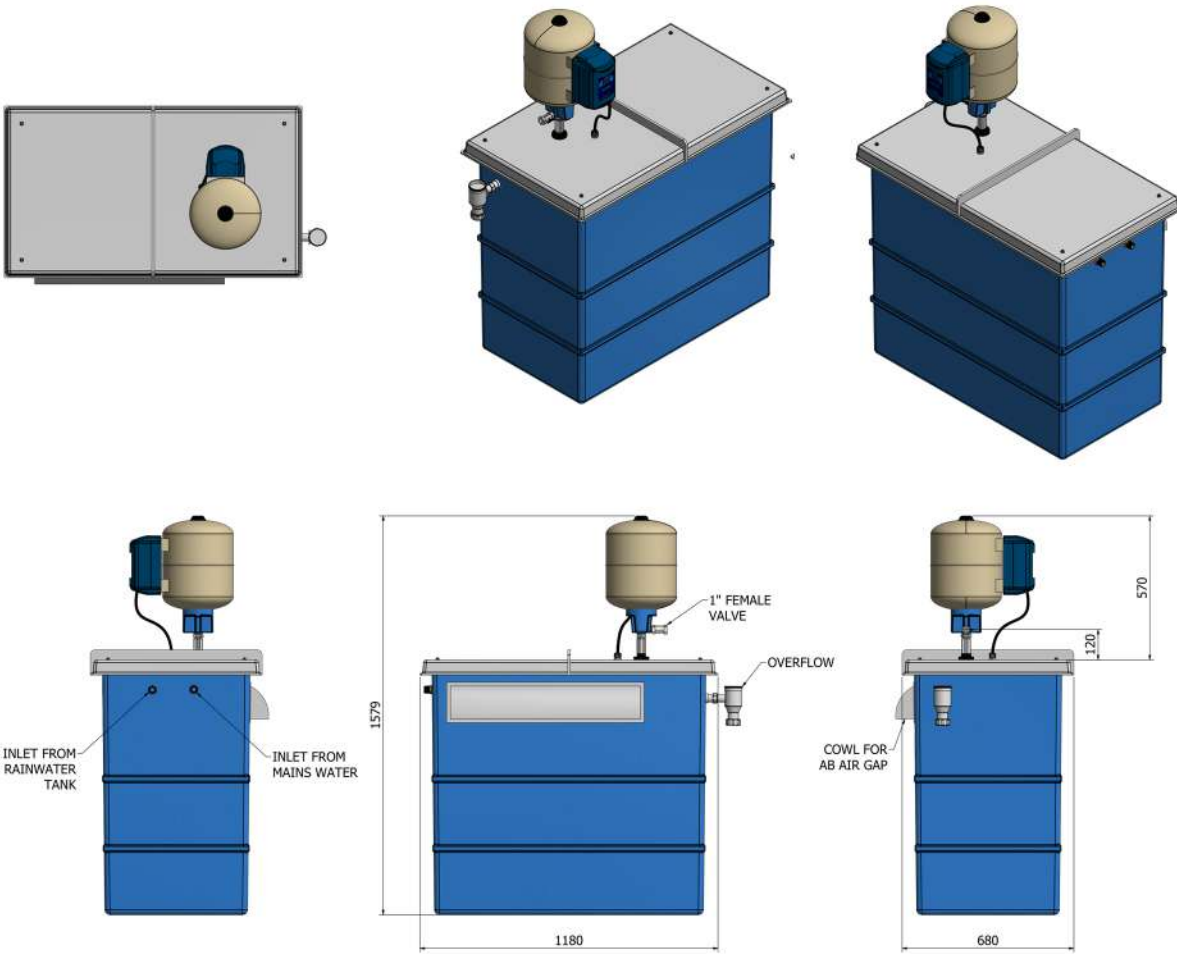


## Technical Drawings



Capacity	A mm	B mm	Invert Depth
6,000L	1500	3600	500mm
8,000L	1850	3350	500mm
10,000L	1850	4230	500mm
12,000L	1850	5070	500mm
14,000L	1850	5800	500mm
16,000L	1850	6600	500mm
18,000L	1850	7160	500mm
20,000L	2500	4800	500mm
25,000L	2500	5540	500mm
30,000L	2500	6550	500mm
40,000L	2500	8600	500mm
50,000L	2500	11,000	500mm

## Technical Drawings



## Product Images





Direct Pumps and Tanks Ltd  
Unit 12 Cossal Industrial Estate  
Ilkeston  
Derbyshire  
DE7 SUA  
Tel: 0115 9444474  
Fax: 0115 9442040  
Email: [info@dpandt.co.uk](mailto:info@dpandt.co.uk)